

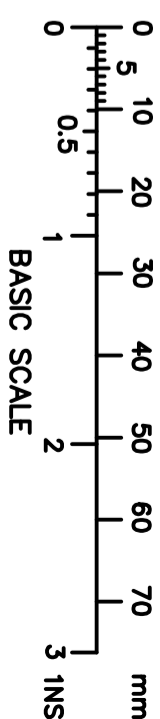
DRG No

BL/D6290/01-05 INST

THIRD ANGLE PROJECTION

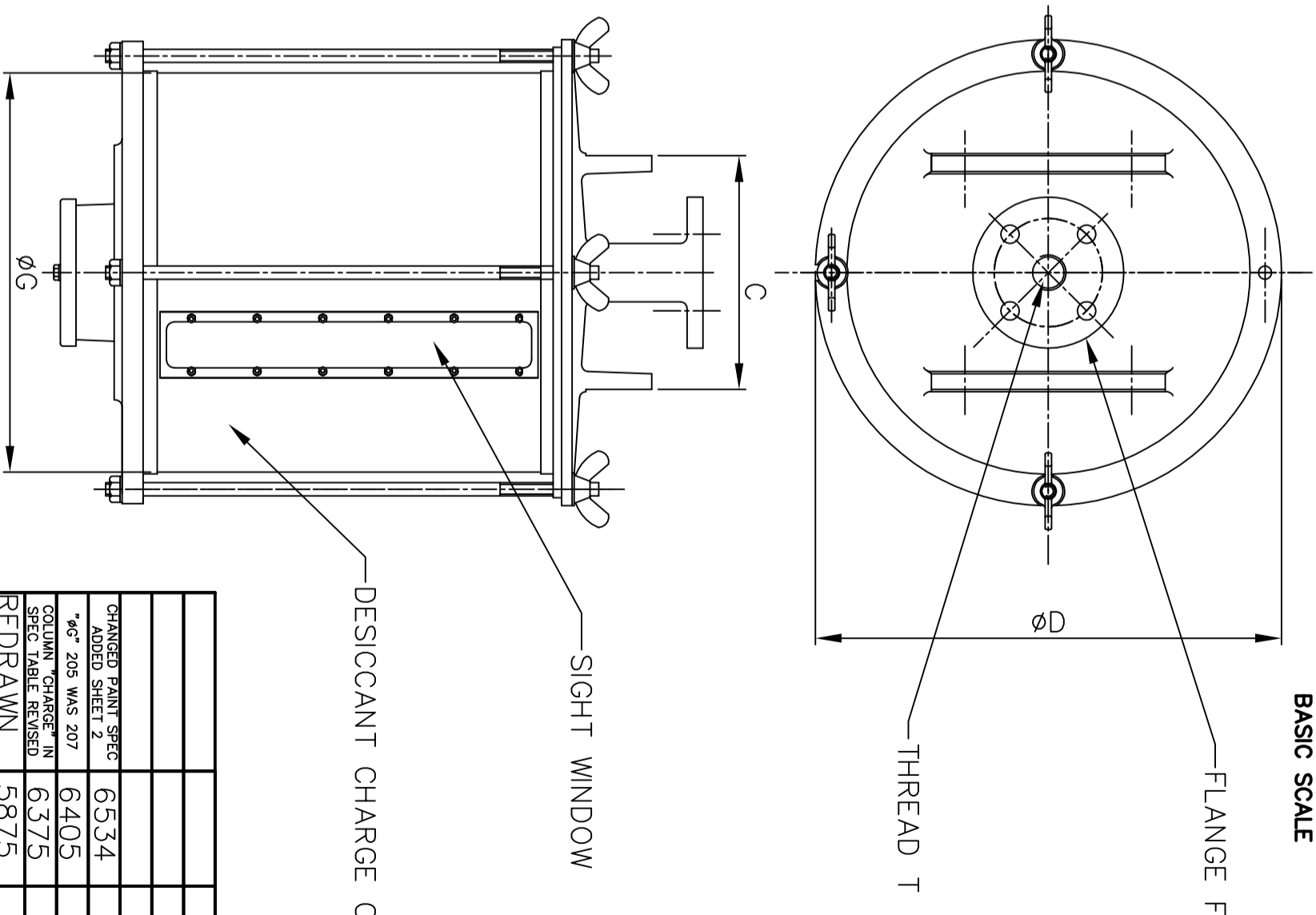
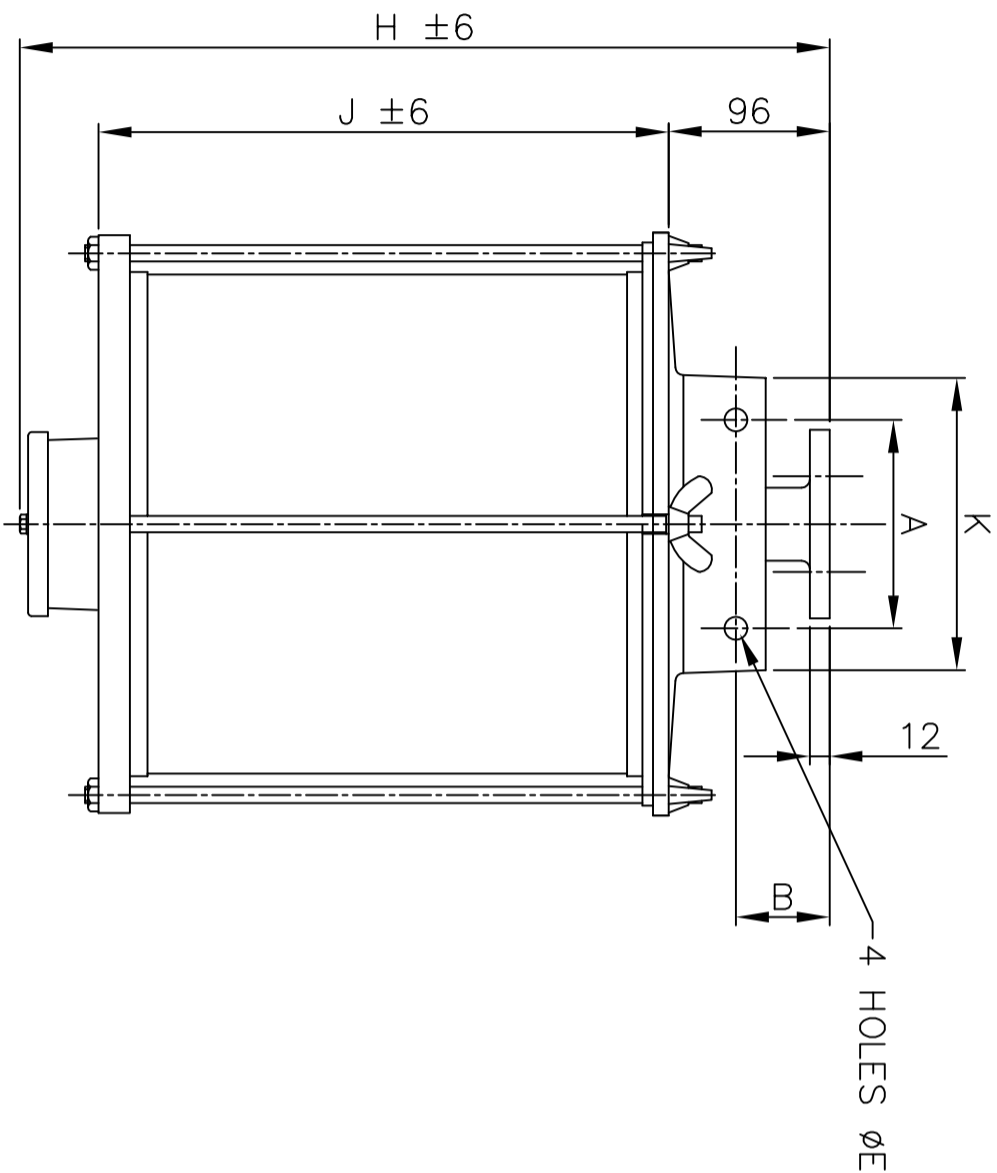
REMOVE ALL SHARP EDGES UNLESS SPECIFIED

DO NOT SCALE - ASK



PART No.	MODEL	A	B	C	D	E	FLANGE F	G	H	J	K
BL/D6290/01	V	82.5	57	155.5	255	14	1" BSTD	205	375	227	127
BL/D6290/02	W	82.5	57	155.5	255	14	1" BSTD	205	555	407	127
BL/D6290/03	X	82.5	57	155.5	255	14	1" BSTD	205	735	587	127
BL/D6290/04	Y	127	57	184	355	14	1" BSTD	306	485	342	178
BL/D6290/05	Z	127	57	184	355	14	1" BSTD	306	645	502	178

PART No.	THREAD T	CHARGE
BL/D6290/01	3/4" BSPP	5 Kg
BL/D6290/02	3/4" BSPP	10 Kg
BL/D6290/03	3/4" BSPP	14.5 Kg
BL/D6290/04	1" BSPP	17.5 Kg
BL/D6290/05	1" BSPP	27.3 Kg



CHANGE	MOD No	ISSUE	DATE
CHANGED PAINT SPEC	6534	8	04.12.12
ADDED SHEET 2	6405	7	24-01-11
* ϕG 205 WAS 207	6375	6	30-09-10
COLUMN "CHARGE" IN SPEC TABLE REVISED	5875	5	14-06-05
REDRAWN			

MATERIAL	ALUMINIUM & MILD STEEL
PROTECTIVE FINISH	ALUM - ANODISE OR EPOXY PAINT M.STEEL-PHOSPHATE
EST. WT.	—

TOLERANCES	± 3
DIMENSIONS IN in/mm	MM
SURFACE ROUGHNESS	—
SCALE (ORIGINAL)	1:5

BROWNELL Ltd. LONDON NW10 7XF

TITLE
 TRANSFORMER BREATHER

DRAWING NUMBER	BL/D6290/01-05 INST
SHEET	1/2