

MULTI-LANE PACKAGING MACHINE



Product Description

Stream Peak's Multi-lane Packaging Machine packs a wide variety of products such as liquids, pastes, powders, and small-sized granulated foods. Made from high quality materials, the machine is made to be efficient, space-saving, and high-performance. Fully automated, it requires little training and maintenance, seamless operations, emphasizing ergonomics, improves the productivity of your overall operations. Available in 3 models, 80m, 320m, 500mm, and 700mm. Depending on the stick pack width, of symmetric or asymmetric shape, the machine allows between 1 to 12 lanes.

Industries Served

- Pharmaceutical
- Food
- Retail

Filler Options



Multi-Lane Auger Filler



Multi-Pumps Filler

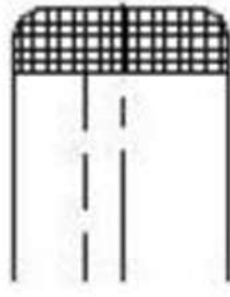


Multi-Cups Filler

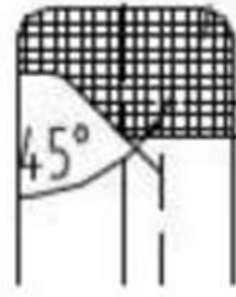
Key Parts



Standard Corner Seal



Round Corner Seal



R Shape Corner Seal



Key Features

- Automatically efficiently complete multi-lane products measuring, feeding, filling, bag forming, date code printing, bag sealing and cutting.
- Advanced PLC Control System
- Touch Screen Controls, easy to read & adjust
- Servo Motor controls, for bag pulling & horizontal seal
- Film smooth transportation with motorize tension control on film unwinding
- Automatic film dividing to N lanes from one reel
- Convenient & easy maintenance & cleaning with openable electric cabinets
- Safety guard switch to meet CE protection request

Key Parts



Multi-Lane Powder Packing Machine



Multi-Lane Liquid Packing Machine

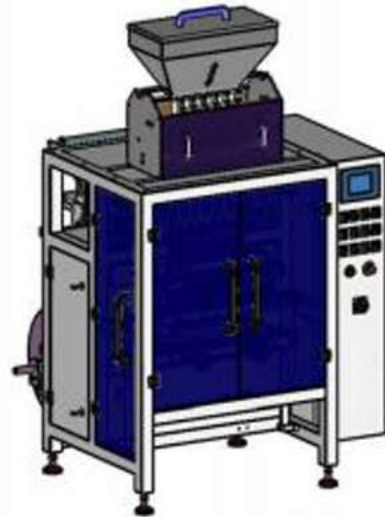
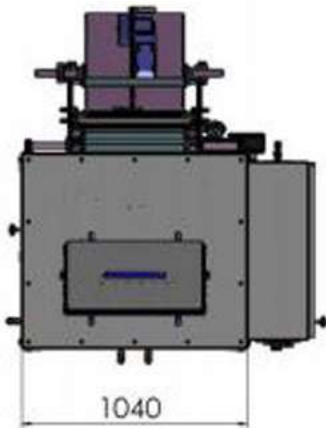
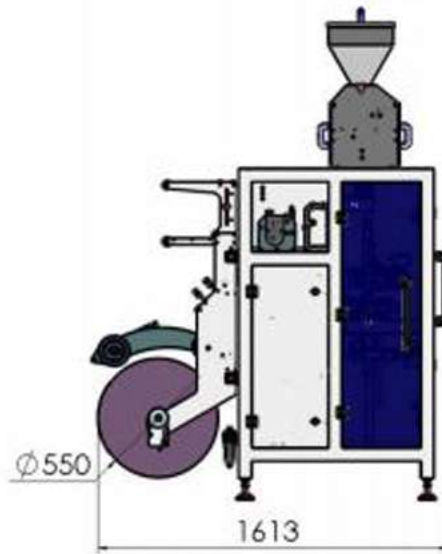
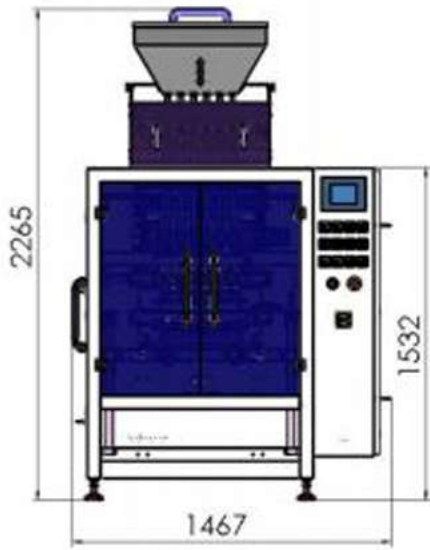


Multi-Lane Granule Packing Machine

Technical Specifications

Model	IP 350				IP 450					IP 750					IP 80
Lanes	2	4	6	8	2	4	6	8	10	2	4	6	8	10	1
Width (mm)	75	35	22	17	100	50	30	22	17	60	50	40	30	25	80
Length (mm)	200				200					160 - 200 max					200
Max. Reel Diametre (mm)	750				750					750					750
Max. Reel Width (mm)	350				450					750					180
Output (Sachet/minute)	60	160	180	240	80	160	180	240	300	160	180	240	300	360	30-60
Dimensions (m)	1.200 x 1.600 x 2.600				1.450 x 1.700 x 2.600					1.800 x 1.700 x 2.600					
Weight (Kg)	500				600					800					400
Noise (dB)	>70														
Electrical Data	20, 400, 440, Vac/3Ph+N+PE/50, 50Hz														
Compressed Air	6/7 bar - 1,000 Litres/min.														

Layout Drawing



Related Products



Doy-Pack Packing Machine



Linear Compact Premade Pouch Machine



Rotary Compact Premade Pouch Machine

