

# FLUSH MOUNTING PIPELINE DESICCATORS



## Product Description

This is a special In-Line Dryer designed for Military application.

Specially designed to be flush mounted into a curved shape unit and it also features a humidity indicator to inform the user when the desiccant must be replaced through the filler plug on the rear.

## Industries Served

- Aerospace
- Defence
- Electronics
- Power & Refinery



STREAM PEAK INTERNATIONAL PTE LTD  
Tel: +65 6610 7921 | Fax: +65 6862 2520  
Email: [enquiry@streampeak.com.sg](mailto:enquiry@streampeak.com.sg)

*Valuing Relationships, Protecting Goods*  
Address: 26 Tuas South Street 3, S(638026)  
Website: [www.streampeak.com.sg](http://www.streampeak.com.sg)

## Key Features

- Point of use dry air
- Low cost
- Easy installation
- Available with condition indicator
- Different filtration levels available
- Compression fitting interface
- Low - medium pressure ratings



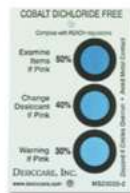
## Product Applications

- Air Exhaust Lines
- Vacuum Lines
- Easy installation
- Low Pressure Compressed Air Lines
- Marine Vehicles

## Related Products



Silica Gel



Humidity Indicator Card



Vent Breathers

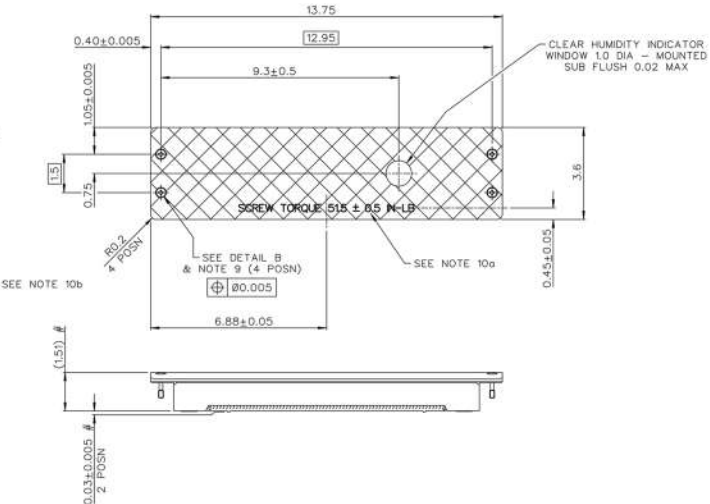
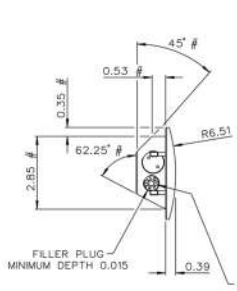


Breather Desiccators

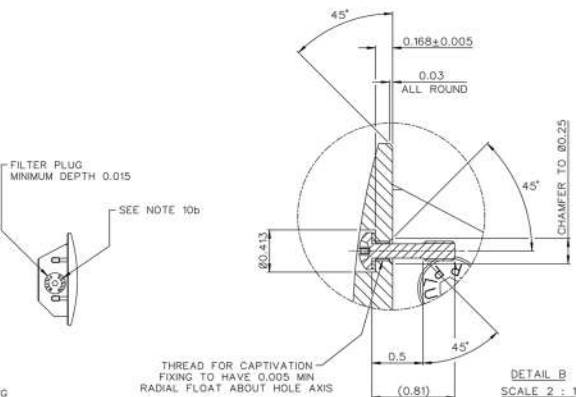
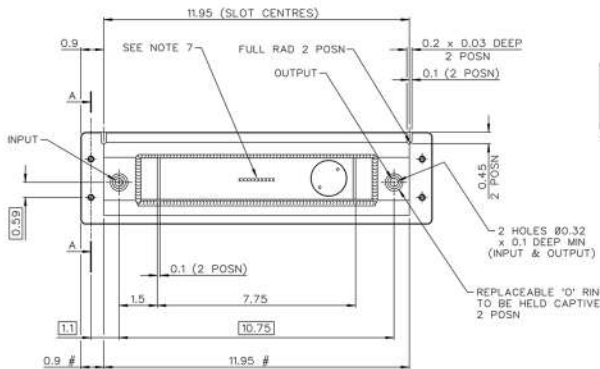
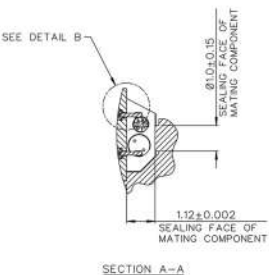


**STREAM PEAK INTERNATIONAL PTE LTD**  
Tel: +65 6610 7921 | Fax: +65 6862 2520  
Email: [enquiry@streampeak.com.sg](mailto:enquiry@streampeak.com.sg)

*Valuing Relationships, Protecting Goods*  
Address: 26 Tuas South Street 3, S(638026)  
Website: [www.streampeak.com.sg](http://www.streampeak.com.sg)



- NOTES
- THIS DRAWING TO BE READ IN CONJUNCTION WITH SPECIFICATION REF No: M002.
  - ALL THREADS TO BE UNIFIED TO BS1580.
  - ALL BURRS AND SHARP EDGES TO BE REMOVED, 0.020 MAX.
  - A FILLET RADIUS OR CHAMFER OF 0.002 TO 0.020 IS PERMITTED IN THE CORNERS OF BLIND HOLES, RECESSES AND STEPS UNLESS OTHERWISE STATED.
  - ALL DIMENSIONS APPLY AFTER FINISH.
  - SURFACE TEXTURE TO BE 6.3µin OR BETTER UNLESS OTHERWISE STATED.
  - PART TO BE MARKED WITH PART NUMBER VZ-11-0014-111 ISSUE /VERSION AND SERIAL No. IN ACCORDANCE WITH DEF STAN 00-870 PART 1/2 SECTION 4.2 USING METHOD 3, PRIOR TO FINISH IN APPROXIMATE POSITION INDICATED.
  - FINISH: CHROMATE CONVERSION TO MIL-C-5541 CLASS 3, FOLLOWED BY, PAINT ALL SURFACES UNLESS OTHERWISE STATED. PAINT WITH ONE COAT OF PRIMER PER MIL-PRF-23377, TYPE II, CLASS C, DRY FILM THICKNESS 0.6 TO 0.9 MILS. PAINT TOP COAT PER MIL-PRF-85285, TYPE 1 LUSTERLESS GREY COLOUR No. 36375 TO FED-STD-595B, DRY FILM THICKNESS 1.7 TO 2.3 MILS. IN AREAS INDICATED THIS: AND ADJACENT EDGES.
  - CAPTIVE FIXING DATA: NAS8103U-13 SCREW, PAN HEAD, CRUCIFORM RECESS, 10-32 UNF x 0.81 LONG, CRES, NON LOCKING, RAW. PASSIVATE TO ANS-QQ-P-35 TYPE II, MODIFIED AS DETAILED - MACHINED SURFACES TO BE PASSIVATED TO ANS-QQ-P-35 TYPE II.
  - a) SPRAY STENCIL MARKINGS USING PAINT PER MIL-PRF-85285 COLOUR No. 36320, LOW REFLECTANCE, DARK GREY PER FED-STD-595B, DRY FILM THICKNESS 1 TO 2 MILS. ALL LETTERS SHALL BE VERTICAL, GOTHIC STYLE AND NUMBERS SHALL BE ARABIC STYLE SPACED AND CENTRED PER MIL-STD-130. LETTER HEIGHT SHALL BE 0.35±0.03 AND LINE WIDTH 0.05±0.01 - CHARACTERS TO BE CENTRALLY DISPOSED ABOUT CENTRE LINES AS SHOWN.  
b) AS ABOVE EXCEPT - LETTER HEIGHT SHALL BE 0.13±0.03 AND LINE WIDTH 0.03±0.01 IN APPROXIMATE POSITION SHOWN.
  - MIN DIMENSIONS INDICATED THIS # APPLY TO NON RELEVANT SURFACES. RELIEF (WEIGHT) OF THESE SURFACES, WITHIN THE SPECIFIED DIMENSIONS, IS PERMISSIBLE.



MATERIAL	PROTECTIVE FINISH	TOLERANCES		CUSTOMER	CONTRACTORS DRAWING REF	
		GEN TOL ±0.01	ANG TOL ±0.1		DRAWING NUMBER	DATE
ALUM ALLOY	SEE NOTES 8 AND 9	GEN TOL ±0.01	ANG TOL ±0.1	BROWNELL LTD. LONDON NW10	5491	8/7/99
		SURFACE ROUGHNESS SEE 10.1	SCALE 1:1		5470	5/8/99
					5438	12/3/03
					5445	4/3/99
					5434	3/13/99
					5376	2/6/99
					1	22/11/98

DRAWN	CHECKED	MOD No	ISSUE	DATE	MOD No	ISSUE	DATE
LJ							